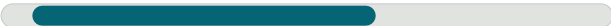


WPLQE

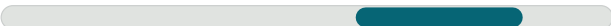
The right angle planetary gearbox with universal output flange – flexible installation options and for high forces

The **WPLQE** is our right angle gearbox with the square output flange. This makes it particularly easy to install for a wide range of applications, and its large deep groove ball bearings also make it ideal for high radial and axial forces.

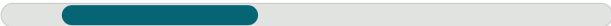
Nominal output torque **14 - 260 Nm**



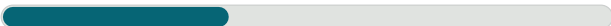
Torsional backlash **11 - 21 arcmin**



Tilting moment **37 - 232 Nm**



Protection class **IP54**

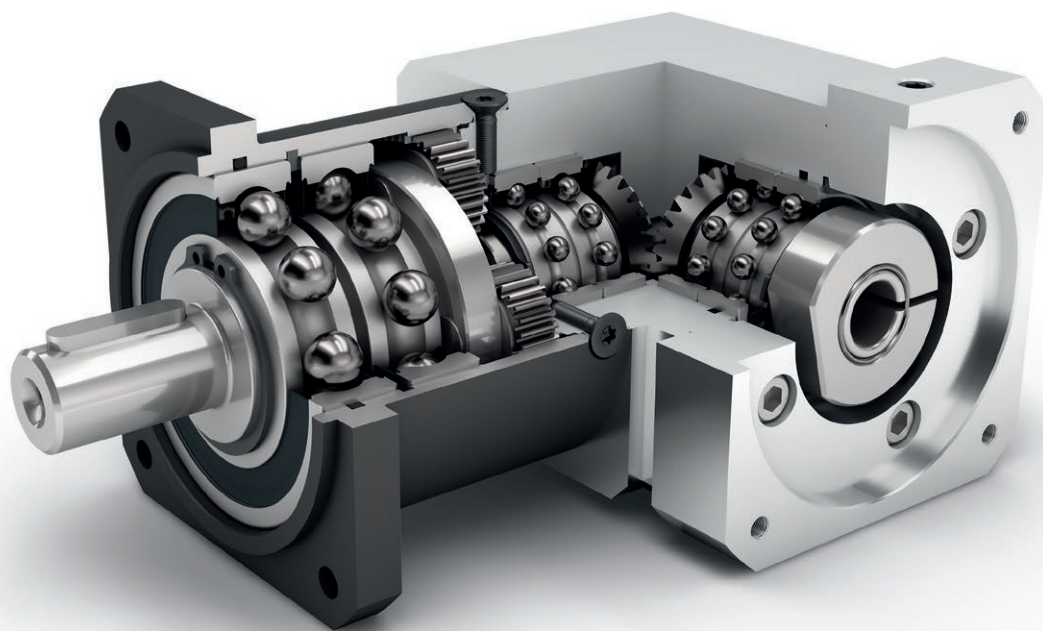


Frame sizes

60

80

120



WPLQE



Economy Line



Right angle gearbox



Spur gear



Square type output flange



High ratio variety $i=3$ up to $i=512$



Equidirectional rotation



Bevel gear right angle stage



Reinforced deep groove ball bearings



Planet carrier in disc design

Code	Gearbox characteristics			WPLQE060	WPLQE080	WPLQE120	p ⁽¹⁾
	Service life (L _{10h})	t _L	h	20,000			
	Service life at T _{2N} x 0.88			30,000			
	Efficiency at full load ⁽²⁾	η	%	95			1
				94			2
				88			3
	Min. operating temperature	T _{min}	°C	-25 (-13)			
	Max. operating temperature	T _{max}	(°F)	90 (194)			
	Protection class	IP54					
S	Standard lubrication	Grease (lifetime lubrication)					
F	Food grade lubrication	Grease (lifetime lubrication)					
L	Low temperature lubrication ⁽³⁾	Grease (lifetime lubrication)					
	Installation position	Any					
S	Standard backlash	j _t	arcmin	< 16	< 13	< 11	1
				< 18	< 15	< 13	2
				< 21	< 17	< 15	3
	Torsional stiffness ⁽²⁾	c _g	Nm/arcmin (lb _r .in/ arcmin)	1.9 - 3.1 (17 - 27)	4.4 - 9.4 (39 - 83)	9.3 - 15.3 (82 - 135)	1
				3.1 - 3.8 (27 - 34)	8.0 - 11.9 (71 - 105)	14.7 - 18.0 (130 - 159)	2
				3.1 - 3.8 (27 - 34)	8.7 - 12.4 (77 - 110)	14.7 - 18.5 (130 - 164)	3
	Gearbox weight	m _G	kg (lb _m)	1.9 (4.2)	5.5 (12.1)	12.6 (27.8)	1
				2.1 (4.6)	6.1 (13.5)	14.6 (32.2)	2
				2.3 (5.1)	6.6 (14.6)	16.6 (36.6)	3
S	Standard surface	Housing: Steel – heat-treated and post-oxidized (black)					
	Running noise ⁽⁴⁾	Q _g	dB(A)	70	73	75	
	Max. bending moment based on the gearbox input flange ⁽⁵⁾	M _b	Nm (lb _r .in)	5 (44)	10.5 (93)	26 (230)	

Output shaft loads				WPLQE060	WPLQE080	WPLQE120	p ⁽¹⁾
Radial force for 20,000 h ⁽⁶⁾⁽⁷⁾	F _{r 20.000 h}	N (lb _r)		900 (202)	2050 (461)	2950 (663)	
Axial force for 20,000 h ⁽⁶⁾⁽⁷⁾	F _{a 20.000 h}			1000 (225)	2500 (562)	2500 (562)	
Radial force for 30,000 h ⁽⁶⁾⁽⁷⁾	F _{r 30.000 h}			700 (157)	1700 (382)	2400 (540)	
Axial force for 30,000 h ⁽⁶⁾⁽⁷⁾	F _{a 30.000 h}			800 (180)	2000 (450)	2100 (472)	
Maximum radial force ⁽⁷⁾⁽⁸⁾	F _{r Stat}			1500 (337)	2500 (562)	4000 (899)	
Maximum axial force ⁽⁷⁾⁽⁸⁾	F _{a Stat}			1950 (438)	3800 (854)	3800 (854)	
Tilting moment for 20,000 h ⁽⁶⁾⁽⁸⁾	M _{K 20.000 h}	Nm (lb _r .in)		37 (327)	101 (894)	232 (2053)	
Tilting moment for 30,000 h ⁽⁶⁾⁽⁸⁾	M _{K 30.000 h}			29 (257)	84 (743)	188 (1664)	

Moment of inertia				WPLQE060	WPLQE080	WPLQE120	p ⁽¹⁾
Mass moment of inertia ⁽²⁾	J	kgcm ² (lb _r .in.s ² 10 ⁻⁴)		0.222 - 0.370 (1.965 - 3.275)	0.921 - 1.402 (8.152 - 12.409)	1.823 - 2.878 (16.135 - 25.472)	1
				0.222 - 0.351 (1.965 - 3.107)	0.917 - 1.244 (8.116 - 11.010)	1.855 - 2.776 (16.418 - 24.570)	2
				0.222 - 0.232 (1.965 - 2.053)	0.916 - 1.210 (8.107 - 10.709)	1.854 - 2.681 (16.409 - 23.729)	3

(1) Number of stages
 (2) The ratio-dependent values can be retrieved in Tec Data Finder – www.neugart.com
 (3) T_{min} = -40°C. Optimal operating temperature max. 50°C
 (4) Sound pressure level from 1 m, measured on input running at n_i=3000 rpm no load; i=5
 (5) Max. motor weight* in kg = 0.2 x M_g / motor length in m
 * with symmetrically distributed motor weight
 * with horizontal and stationary mounting
 (6) These values are based on an output shaft speed of n₂=100 rpm
 (7) Based on center of output shaft
 (8) Other (sometimes higher) values following changes to T_{2N}, F_r, F_a, cycle, and service life of bearing. Application specific configuration with NCP – www.neugart.com

Output torques			WPLQE060	WPLQE080	WPLQE120	i ⁽¹⁾	p ⁽²⁾
Nominal output torque ⁽³⁾⁽⁴⁾	T _{2N}	Nm (lb.in)	14 (124)	40 (354) ⁽⁵⁾	80 (708) ⁽⁵⁾	3	1
			19 (168)	53 (469) ⁽⁵⁾	105 (929) ⁽⁵⁾	4	
			24 (212)	67 (593) ⁽⁵⁾	130 (1151) ⁽⁵⁾	5	
			25 (221)	65 (575)	135 (1195)	7	
			18 (159)	50 (443)	120 (1062)	8	
			15 (133)	38 (336)	95 (841)	10	
			44 (389) ⁽⁵⁾	130 (1151) ⁽⁵⁾	210 (1859) ⁽⁵⁾	9	2
			44 (389)	120 (1062) ⁽⁵⁾	260 (2301) ⁽⁵⁾	12	
			44 (389)	110 (974)	230 (2036)	15	
			44 (389)	120 (1062)	260 (2301)	16	
			44 (389)	120 (1062)	260 (2301)	20	
			40 (354)	110 (974)	230 (2036)	25	
			44 (389)	120 (1062)	260 (2301)	32	3
			40 (354)	110 (974)	230 (2036)	40	
			18 (159)	50 (443)	120 (1062)	64	
			44 (389)	110 (974)	260 (2301)	60	
			44 (389)	120 (1062)	260 (2301)	80	
			44 (389)	120 (1062)	260 (2301)	100	
			44 (389)	110 (974)	230 (2036)	120	3
			44 (389)	120 (1062)	260 (2301)	160	
			40 (354)	110 (974)	230 (2036)	200	
44 (389)	120 (1062)	260 (2301)	256				
40 (354)	110 (974)	230 (2036)	320				
18 (159)	50 (443)	120 (1062)	512				
Max. output torque ⁽⁴⁾⁽⁶⁾	T _{2max}	Nm (lb.in)	22 (195)	64 (566)	128 (1133)	3	1
			30 (266)	85 (752)	168 (1487)	4	
			38 (336)	107 (947)	208 (1841)	5	
			40 (354)	104 (920)	216 (1912)	7	
			29 (257)	80 (708)	192 (1699)	8	
			24 (212)	61 (540)	152 (1345)	10	
			70 (620)	208 (1841)	336 (2974)	9	2
			70 (620)	192 (1699)	416 (3682)	12	
			70 (620)	176 (1558)	368 (3257)	15	
			70 (620)	192 (1699)	416 (3682)	16	
			70 (620)	192 (1699)	416 (3682)	20	
			64 (566)	176 (1558)	368 (3257)	25	
			70 (620)	192 (1699)	416 (3682)	32	3
			64 (566)	176 (1558)	368 (3257)	40	
			29 (257)	80 (708)	192 (1699)	64	
			70 (620)	176 (1558)	416 (3682)	60	
			70 (620)	192 (1699)	416 (3682)	80	
			70 (620)	192 (1699)	416 (3682)	100	
			70 (620)	176 (1558)	368 (3257)	120	3
			70 (620)	192 (1699)	416 (3682)	160	
			64 (566)	176 (1558)	368 (3257)	200	
70 (620)	192 (1699)	416 (3682)	256				
64 (566)	176 (1558)	368 (3257)	320				
29 (257)	80 (708)	192 (1699)	512				

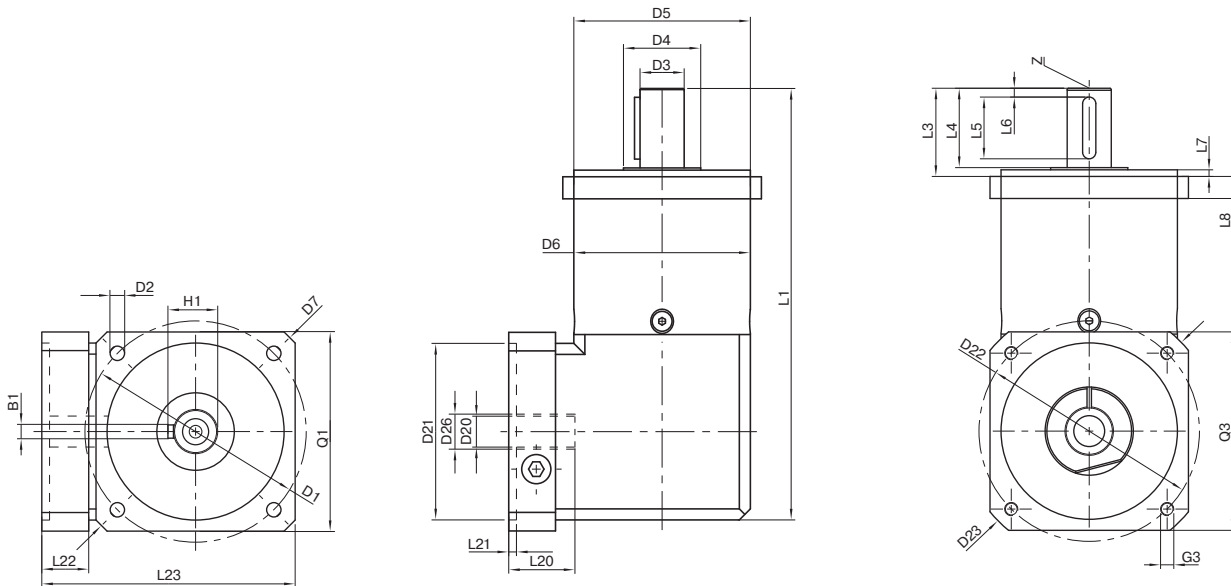
WPLQE

⁽¹⁾ Ratios (i=n₁/n₂)
⁽²⁾ Number of stages
⁽³⁾ Application specific configuration with NCP – www.neugart.com
⁽⁴⁾ Values for feather key (code "A"): for repeated load
⁽⁵⁾ Different service life: 10,000 h at T_{2N}
⁽⁶⁾ 30,000 rotations of the output shaft permitted; see page 142

Output torques			WPLQE060	WPLQE080	WPLQE120	$i^{(1)}$	$p^{(2)}$
Emergency stop torque ⁽³⁾	T_{2Stop}	Nm (lb _r .in)	66 (584)	180 (1593)	360 (3186)	3	1
			86 (761)	240 (2124)	474 (4195)	4	
			80 (708)	220 (1947)	500 (4425)	5	
			80 (708)	178 (1575)	340 (3009)	7	
			80 (708)	190 (1682)	380 (3363)	8	
			70 (620)	170 (1505)	430 (3806)	10	
			88 (779)	260 (2301)	500 (4425)	9	2
			88 (779)	240 (2124)	520 (4602)	12	
			88 (779)	220 (1947)	500 (4425)	15	
			88 (779)	240 (2124)	520 (4602)	16	
			88 (779)	240 (2124)	520 (4602)	20	
			80 (708)	220 (1947)	500 (4425)	25	
			88 (779)	240 (2124)	520 (4602)	32	3
			80 (708)	220 (1947)	500 (4425)	40	
			80 (708)	190 (1682)	380 (3363)	64	
			88 (779)	220 (1947)	520 (4602)	60	
			88 (779)	240 (2124)	520 (4602)	80	
			88 (779)	240 (2124)	520 (4602)	100	
			88 (779)	220 (1947)	500 (4425)	120	3
			88 (779)	240 (2124)	520 (4602)	160	
			80 (708)	220 (1947)	500 (4425)	200	
			88 (779)	240 (2124)	520 (4602)	256	
			80 (708)	220 (1947)	500 (4425)	320	
			80 (708)	190 (1682)	380 (3363)	512	

Input speeds			WPLQE060	WPLQE080	WPLQE120	$i^{(1)}$	$p^{(2)}$
Average thermal input speed at T_{2N} and $S1^{(4)(5)}$	n_{1N}	rpm	4500 ⁽⁶⁾	3100 ⁽⁶⁾	2850 ⁽⁶⁾	3	1
			4500 ⁽⁶⁾	3250 ⁽⁶⁾	2950 ⁽⁶⁾	4	
			4500 ⁽⁶⁾	3350 ⁽⁶⁾	3050 ⁽⁶⁾	5	
			4500	4000 ⁽⁶⁾	3500 ⁽⁶⁾	7	
			4500	4000 ⁽⁶⁾	3500 ⁽⁶⁾	8	
			4500	4000	3500	10	
			4500 ⁽⁶⁾	3150 ⁽⁶⁾	2950 ⁽⁶⁾	9	2
			4500 ⁽⁶⁾	3750 ⁽⁶⁾	3050 ⁽⁶⁾	12	
			4500	4000 ⁽⁶⁾	3500 ⁽⁶⁾	15	
			4500	4000 ⁽⁶⁾	3450 ⁽⁶⁾	16	
			4500	4000 ⁽⁶⁾	3500 ⁽⁶⁾	20	
			4500	4000	3500 ⁽⁶⁾	25	
			4500	4000	3500	32	3
			4500	4000	3500	40	
			4500	4000	3500	64	
			4500	4000	3500	60	
			4500	4000	3500	80	
			4500	4000	3500	100	
			4500	4000	3500	120	3
			4500	4000	3500	160	
			4500	4000	3500	200	
			4500	4000	3500	256	
			4500	4000	3500	320	
			4500	4000	3500	512	
Max. mechanical input speed ⁽⁴⁾	n_{1Limit}	rpm	13000	7000	6500		

(1) Ratios ($i=n_1/n_2$)
 (2) Number of stages
 (3) Permitted 1000 times
 (4) Application-specific speed configurations with NCP – www.neugart.com
 (5) See page 142 for the definition
 (6) Average thermal input speed at 50% T_{2N} and $S1$



Drawing corresponds to a WPLQE080 / 1-stage / output shaft with feather key / 19 mm clamping system / motor adaptation – 2-part – square universal flange / B5 flange type motor
 All other variants can be retrieved in Tec Data Finder at www.neugart.com

Geometry ⁽¹⁾			WPLQE060	WPLQE080	WPLQE120	z ⁽²⁾	Code
Pitch circle diameter output	D1		75 (2.953)	100 (3.937)	130 (5.118)		
Mounting bore output	D2	4x	5.5 (0.217)	6.5 (0.256)	8.5 (0.335)		
Shaft diameter output	D3	h7	16 (0.630)	20 (0.787)	25 (0.984)		
Shaft collar output	D4		20 (0.787)	35 (1.378)	35 (1.378)		
Centering diameter output	D5	h7	60 (2.362)	80 (3.150)	110 (4.331)		
Housing diameter	D6		60 (2.362)	80 (3.150)	115 (4.528)		
Diagonal dimension output	D7		92 (3.622)	116 (4.567)	145 (5.709)		
Flange cross section output	Q1	■	70 (2.756)	90 (3.543)	115 (4.528)		
Total length	L1		152 (5.984)	195.5 (7.697)	274.5 (10.807)	1	
			164.5 (6.476)	213 (8.386)	302.5 (11.909)	2	
			177 (6.968)	230.5 (9.075)	330 (12.992)	3	
Shaft length output	L3		32 (1.260)	40 (1.575)	55 (2.165)		
Centering depth output	L7		3 (0.118)	3 (0.118)	4 (0.157)		
Flange thickness output	L8		10 (0.394)	10 (0.394)	15 (0.591)		
Min. overall height	L23		91 (3.563)	115 (4.528)	146 (5.728)		
Clamping system diameter input	D26		More information on page 131				
Motor shaft diameter j6/k6	D20		The dimensions vary with the motor/gearbox flange. The input flange dimensions can be retrieved for each specific motor in Tec Data Finder at www.neugart.com				
Max. permis. motor shaft length	L20						
Min. permis. motor shaft length							
Centering diameter input	D21						
Centering depth input	L21						
Pitch circle diameter input	D22						
Motor flange length	L22						
Diagonal dimension input	D23						
Mounting thread x depth	G3	4x					
Flange cross section input	Q3	■					
Output shaft with feather key (DIN 6885-1)			A 5x5x20	A 6x6x28	A 8x7x40		A
Feather key width (DIN 6885-1)	B1		5 (0.197)	6 (0.236)	8 (0.315)		
Shaft height including feather key (DIN 6885-1)	H1		18 (0.709)	22.5 (0.886)	28 (1.102)		
Shaft length from shoulder	L4		28 (1.102)	36 (1.417)	50 (1.969)		
Feather key length	L5		20 (0.787)	28 (1.102)	40 (1.575)		
Distance from shaft end	L6		4 (0.157)	4 (0.157)	5 (0.197)		
Center hole (DIN 332, type DR)	Z		M5x12.5	M6x16	M10x22		
Smooth output shaft							B
Shaft length from shoulder	L4		28 (1.102)	36 (1.417)	50 (1.969)		

⁽¹⁾ Dimensions in mm (in)
⁽²⁾ Number of stages